



Doc.-No.:
01_B5000110_EN_1-D-47-E_1.1.0.doc
Date:
2006-09-26

Security level:
1

Product data sheet
Drawbridge Dock Plate
PG
Page: 1 / 3
Folder: 1-D-47

Product data sheet

PG

Model PG – Drawbridge Dock Plate

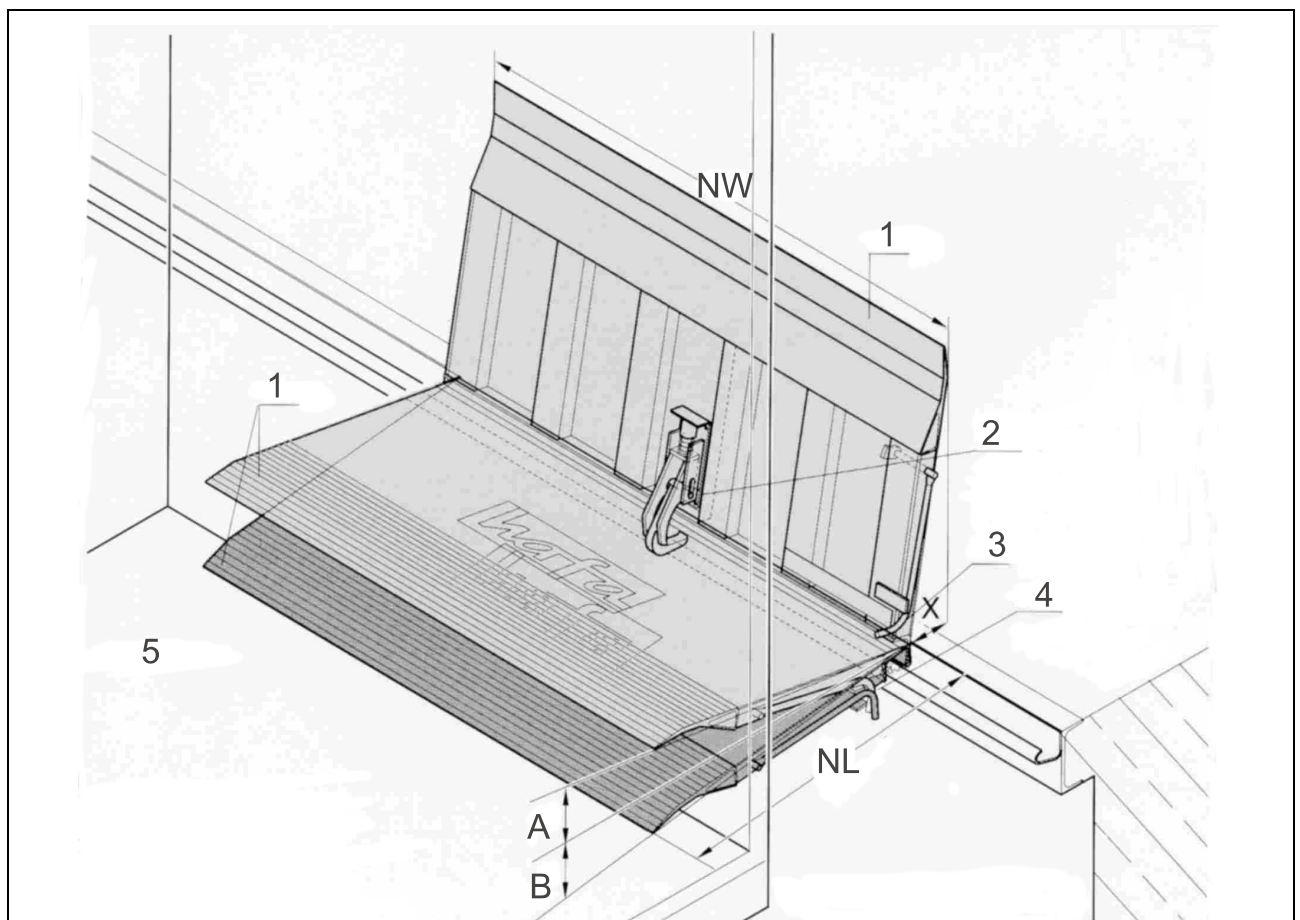
Serial number: B5000110

Load capacity: see specification plate

Drawbridge Dock Plate

Type PG

The model PG dock plate, made of welded aluminium, is principally designed for external applications. A special guide rail is welded to the dock edge along which the PG can be moved and then raised or lowered using the operating rod, onto the vehicle bed above or below dock level. When not in use, the PG stands upright in the guide rail, secured by a pawl. All dock leveller and plates comply with the European EN 1398 standard for loading equipment.



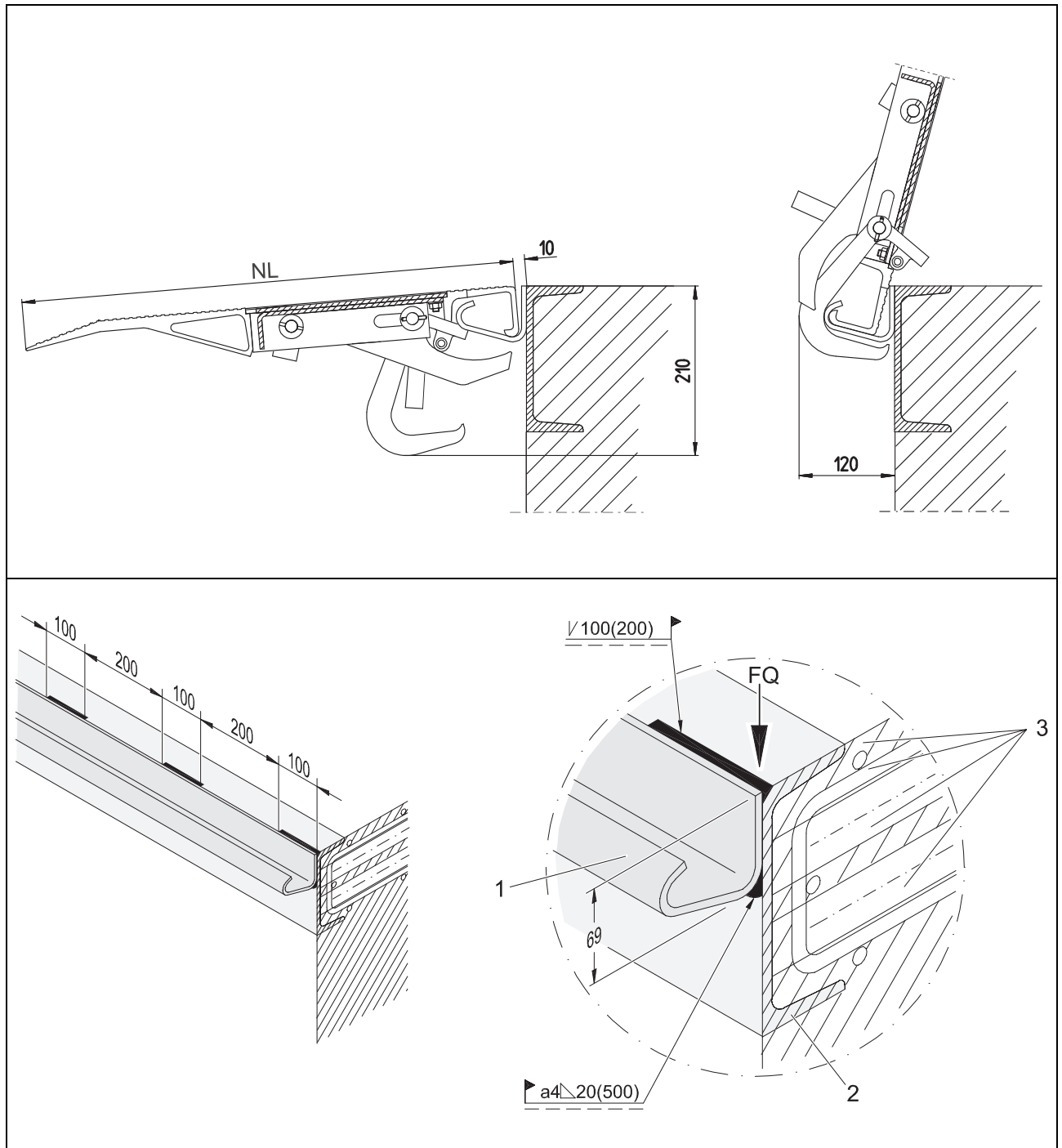
NL	Nominal length	X	clearance	4	Guide rail
NW	Nominal width	1	Lip	5	Vehicle bed
A	Level equalisation above dock level	2	pawl		
B	Level equalisation below dock level	3	Operating rod		

NL	A	B	X
610	80	80	150
860	120	120	200
1110	160	160	250

*All measures in mm

Load capacity for all sizes: 20kN, 40kN
 Width for all sizes: 1250 mm, 1500 mm, 2000 mm

Fixing the model PG to the ramp edge



NL Nominal length
 FQ Transverse force = load capacity x 1.4

1 Guide rail for PG
 2 U 180 DIN 1026 [recommended]

3 Steel dowels to suit load capacity